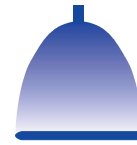


# ➤ Liquid fertilizer nozzles FD



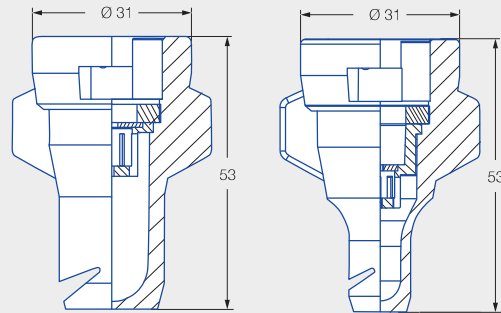
**Crop production** / **Ground care**

Dimensions in mm.

- Flat spray nozzle with horizontal spray pattern for uniform cross distribution

### Advantages

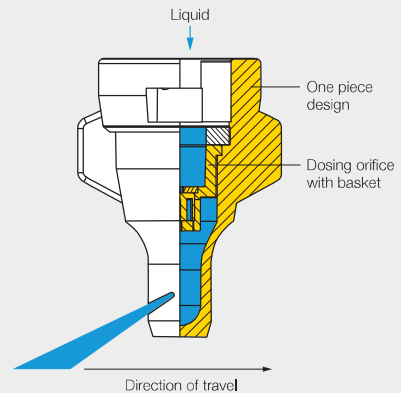
- Gentle liquid fertilizer application thanks to extremely low spray impact
- Minimum risk of scorching due to extremely coarse droplet application
- No striping due to optimum cross distribution
- Nozzle in cap for standard bayonet connection system MULTIJET (incl. gasket)
- Suitable for PWM



**Series FD**



**Pre-chamber can be removed without tools**



### Application:



Liquid fertilizer delivery



Greenhouse



Golf course

### Technical data:



**Nozzle sizes**  
02-20



**Spray angle**  
130°



**Material**  
POM



**Pressure ranges**  
1.5-4 bar



**Recommended strainers**

- 50/60 M 02-04
- 25/30 M 05-20

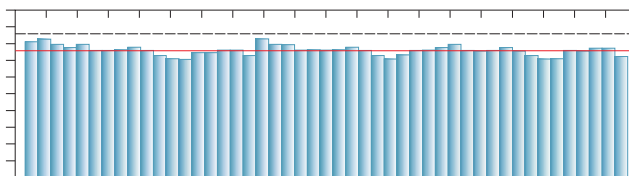


**Droplet size**  
Ultra coarse



**Spray heights**  
50-70 cm

### FD 04 – Cross distribution on patternator (with water)



Pressure range: 2,0 bar  
Spray height: 600 mm  
Coefficient of variation: 3,4 %

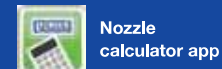
## Good to know

You can find detailed information in our brochure "Application of liquid fertilizer" and at [www.lechler-agri.com](http://www.lechler-agri.com)



	[l/min]	UAN [l/ha]										
		Water	UAN	5.0 km/h	6.0 km/h	7.0 km/h	8.0 km/h	10.0 km/h	12.0 km/h	14.0 km/h	16.0 km/h	18.0 km/h
FD 02 50/60 M	1.5	0.57	0.50	121	101	86	76	60	50	43	38	34
	2.0	0.65	0.57	138	115	98	86	69	57	49	43	38
	3.0	0.80	0.71	170	141	121	106	85	71	61	53	47
	4.0	0.92	0.81	195	163	139	122	98	81	70	61	54
FD 03 50/60 M	1.5	0.85	0.75	180	150	129	113	90	75	64	56	50
	2.0	0.98	0.87	208	173	148	130	104	87	74	65	58
	3.0	1.20	1.06	255	212	182	159	127	106	91	80	71
	4.0	1.39	1.23	295	246	211	184	147	123	105	92	82
FD 04 50/60 M	1.5	1.13	1.00	240	200	171	150	120	100	86	75	67
	2.0	1.31	1.16	278	232	198	174	139	116	99	87	77
	3.0	1.60	1.41	339	283	242	212	170	141	121	106	94
	4.0	1.85	1.64	392	327	280	245	196	164	140	123	109
FD 05 25/30 M	1.5	1.41	1.25	299	249	214	187	149	125	107	93	83
	2.0	1.63	1.44	346	288	247	216	173	144	123	108	96
	3.0	2.00	1.77	424	354	303	265	212	177	152	133	118
	4.0	2.31	2.04	490	408	350	306	245	204	175	153	136
FD 06 25/30 M	1.5	1.70	1.50	361	301	258	225	180	150	129	113	100
	2.0	1.96	1.73	416	346	297	260	208	173	148	130	115
	3.0	2.40	2.12	509	424	364	318	255	212	182	159	141
	4.0	2.77	2.45	588	490	420	367	294	245	210	184	163
FD 08 25/30 M	1.5	2.26	2.00	479	400	342	300	240	200	171	150	133
	2.0	2.61	2.31	554	461	395	346	277	231	198	173	154
	3.0	3.20	2.83	679	566	485	424	339	283	242	212	189
	4.0	3.70	3.27	785	654	561	491	392	327	280	245	218
FD 10 25/30 M	1.5	2.83	2.50	600	500	429	375	300	250	214	188	167
	2.0	3.27	2.89	694	578	495	434	347	289	248	217	193
	3.0	4.00	3.54	849	707	606	530	424	354	303	265	236
	4.0	4.62	4.08	980	817	700	613	490	408	350	306	272
FD 15 25/30 M	1.5	4.24	3.75	899	750	642	562	450	375	321	281	250
	2.0	4.90	4.33	1,039	866	742	650	520	433	371	325	289
	3.0	6.00	5.30	1,273	1,061	909	795	636	530	455	398	354
	4.0	6.93	6.13	1,470	1,225	1,050	919	735	613	525	459	408
FD 20 25/30 M	1.5	5.66	5.00	1,201	1,001	858	750	600	500	429	375	334
	2.0	6.53	5.77	1,385	1,154	989	866	693	577	495	433	385
	3.0	8.00	7.07	1,697	1,414	1,212	1,061	849	707	606	530	471
	4.0	9.24	8.17	1,960	1,633	1,400	1,225	980	817	700	613	544

- Operating pressure at the nozzle (measured with diaphragm valve)
- The stated liter-per-hectare rates apply to UAN (28/1.28 kg/l)
- Verify the table values by gauging the flow rates prior to every spraying season
- Ensure uniform nozzle adjustment



Nozzle calculator app

The apps for Lechler agricultural nozzles make selection and use of the optimum nozzle even easier. Find out more here: [www.lechler.com/de-en/service/apps](http://www.lechler.com/de-en/service/apps)



Ordering Series + Nozzle size + Material = Order no.  
example: FD + 06 + (POM) = FD 06

## Intermediate and extension adapters

<b>Intermediate adapter<sup>1</sup></b>					<b>Extension adapter and bayonet nipple<sup>1</sup></b>	
Lechler TWISTLOC system <b>092.163.56.00.22</b> Extension: 22 mm	Rau system <b>092.163.56.00.21</b> Extension: 20 mm	Hardi system <b>092.163.56.00.20</b> Extension: 17 mm	Agrifac system <b>092.163.56.00.29</b> Extension: 18,5 mm	Jacto system <b>092.163.56.00.24</b> Extension: 13 mm	MULTIJET system <b>092.163.56.00.23</b> Extension: 32 mm	MULTIJET bayonet nipple <b>092.163.56.00.09</b> <b>092.163.56.00.26</b> (see Page 149)

<sup>1</sup> Including gasket.