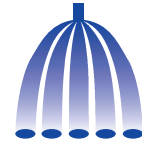


# 5-orifice nozzles FL



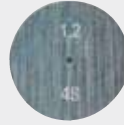
Crop production / Ground care

Dimensions in mm.

- Orifice nozzle with horizontal spray pattern

### Advantages

- Black, gray and stainless steel nozzle sizes can be combined with dosing orifices
- Change in delivery rate by changing the dosing orifice
- No leaf damage due to extremely coarse droplets
- Suitable for PWM



### Installation instruction

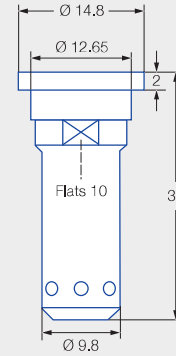
Inscription on dosing orifice must face upwards when inserted in the bayonet cap!



FL black



FL stainless steel



### Series FL

### Application:



Liquid fertilizer delivery



Dropleg<sup>UL</sup>

### Technical data:



**Bore diameter**  
0.8–1.8 mm



**Spray angle**  
160°



**Materials**

- Nozzle housing: POM, stainless steel
- Dosing orifice: Stainless steel



**Pressure ranges**

- Dosing orifice 0.8–1.0: **1–5** bar
- Dosing orifice 1.2: **1–4** bar
- Dosing orifice 1.5–1.8: **1–3** bar



**Recommended strainers**  
25/30 M



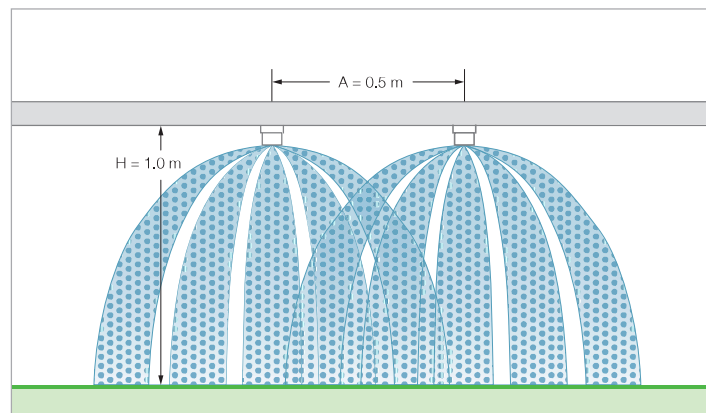
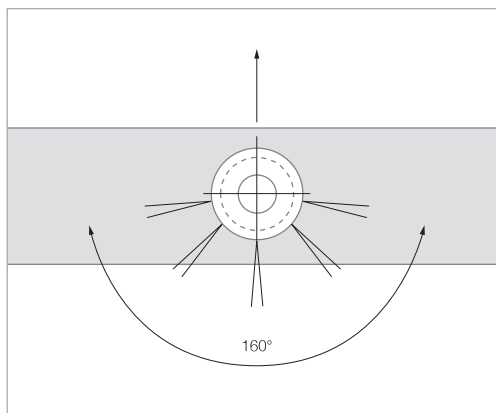
**Droplet size**  
Ultra coarse



**Width across flats**  
10 mm



**Spray height**  
100 cm



## Good to know

You can find detailed information in our brochure "Application of liquid fertilizer" and at [www.lechler-agri.com](http://www.lechler-agri.com)



Ø [mm]	[l/min]	UAN [l/ha]													
		Water	UAN	5.0 km/h	6.0 km/h	7.0 km/h	8.0 km/h	9.0 km/h	10.0 km/h	11.0 km/h	12.0 km/h	14.0 km/h	16.0 km/h	18.0 km/h	
0.8/32	1.0	0.31	0.27	66	55	47	41	37	33	30	27	23	20	18	
	2.0	0.43	0.38	91	76	65	57	51	46	41	38	33	29	25	
	3.0	0.53	0.47	112	94	80	70	62	56	51	47	40	35	31	
	4.0	0.61	0.54	129	108	92	81	72	65	59	54	46	40	36	
	5.0	0.68	0.60	144	120	103	90	80	72	66	60	52	45	40	
1.0/39	1.0	0.46	0.41	98	81	70	61	54	49	44	41	35	30	27	
	2.0	0.65	0.57	138	115	98	86	77	69	63	57	49	43	38	
	3.0	0.80	0.71	170	141	121	106	94	85	77	71	61	53	47	
	4.0	0.92	0.81	195	163	139	122	108	98	89	81	70	61	54	
	5.0	1.03	0.91	218	182	156	137	121	109	99	91	78	68	61	
1.2/48	1.0	0.67	0.59	142	118	102	89	79	71	65	59	51	44	39	
	2.0	0.95	0.84	202	168	144	126	112	101	92	84	72	63	56	
	3.0	1.16	1.03	246	205	176	154	137	123	112	103	88	77	68	
	4.0	1.34	1.18	284	237	203	178	158	142	129	118	102	89	79	
1.5/59	1.0	0.98	0.87	208	173	148	130	115	104	94	87	74	65	58	
	2.0	1.38	1.22	293	244	209	183	163	146	133	122	105	91	81	
	3.0	1.69	1.49	359	299	256	224	199	179	163	149	128	112	100	
1.8/72	1.0	1.39	1.23	295	246	211	184	164	147	134	123	105	92	82	
	2.0	1.96	1.73	416	346	297	260	231	208	189	173	148	130	115	
	3.0	2.40	2.12	509	424	364	318	283	255	231	212	182	159	141	

- Operating pressure at the dosing orifice (measured with diaphragm valve)
- Lateral nozzle spacing 0.5 m
- Verify the table values by gauging the flow rates prior to every spraying season
- Make sure that the same dosing orifices are fitted in the nozzles
- The stated liter-per-hectare rates apply to UAN (28/1.28 kg/l)

## Ordering

When ordering, please specify the order numbers of the nozzle and also the dosing orifice.

## Recommendation

Use only gray 5-orifice nozzles (**Order no. 500.179.56.01.00**) in combination with large dosing orifices (1.5 and 1.8 mm).

Designation	Order no.
<b>5-orifice nozzles FL</b> (supplied without dosing orifices, please order separately)	
<input type="checkbox"/> Stainless steel for all dosing orifice sizes	<b>500.179.16.00.00</b>
<input checked="" type="checkbox"/> POM for dosing orifices with dia. 0.8/1.0/1.2 mm	<b>500.179.56.00.00</b>
<input type="checkbox"/> POM for dosing orifices with dia. 1.2/1.5/1.8 mm	<b>500.179.56.01.00</b>
<b>Dosing orifices</b>	
0.8 mm/32 stainless steel	<b>050.030.1C.00.00</b>
1.0 mm/39 stainless steel	<b>050.030.1C.01.00</b>
1.2 mm/48 stainless steel	<b>050.030.1C.03.00</b>
1.5 mm/59 stainless steel	<b>050.030.1C.02.00</b>
1.8 mm/72 stainless steel	<b>050.030.1C.04.00</b>



Nozzle calculator app

The apps for Lechler agricultural nozzles make selection and use of the optimum nozzle even easier. Find out more here: [www.lechler.com/de-en/service/apps](http://www.lechler.com/de-en/service/apps)

